

BEFORE INSTALLING

Use the tools recommended in this manual
 Do not alter the product in any way that may cause risk to the rider or others.
 Any modification to the product will void the warranty.
 In case of doubt consult your authorised bikone workshop or download at: <https://www.bikone.com/downloads/>

DURING USE

Check that there is no lateral movement in the crankset and that they rotate smoothly,
 Make sure that the cranks are correctly adjusted and tightened to the torque specified by the manufacturer.
 Never clean the bottom bracket with pressurised water or brake cleaner.
 It is recommended to use a soft brush or a damp cloth and soap.

ASSEMBLY INSTRUCTIONS FOR DCTECH - PRESSFIT

DCTech BB86-92
 DCTech EVO386-392
 DCTech BBRight
 DCTech PF46 INT
 DCTech PF46 EXT

INSTALLATION

INSTALLATION TOOLS

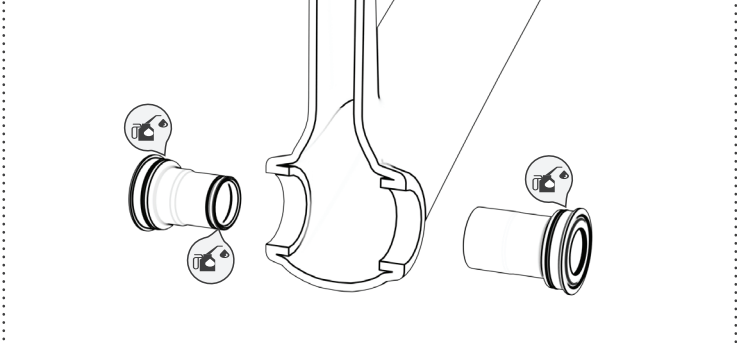


PRESS: Use specific press for bottom bracket. **IMPORTANT:** pressure must be applied on the outer face of the BB. **NEVER ON THE BEARING**

Grease Recommendations: FinishLine Premium Grease / Park Tool PPL-1 Polyube 1000 / Mobile 1 Synthetic Grease / Muc-Off Bio Grease / Others

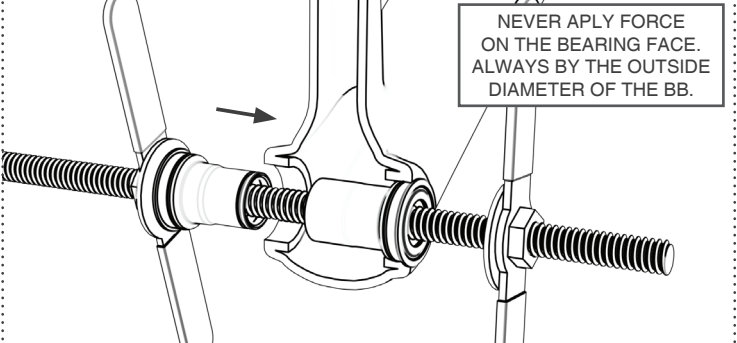
Note: Do not use carbon paste and brake cleaner under any circumstances.

01 - Greasing of surfaces



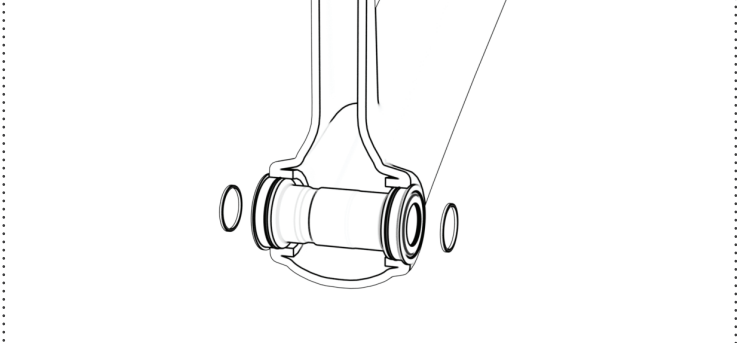
Apply grease to the contact surfaces indicated.
 Note: Before mounting, check that there are no components inside the frame that could interfere with the BB.

02 - PRESS bottom bracket



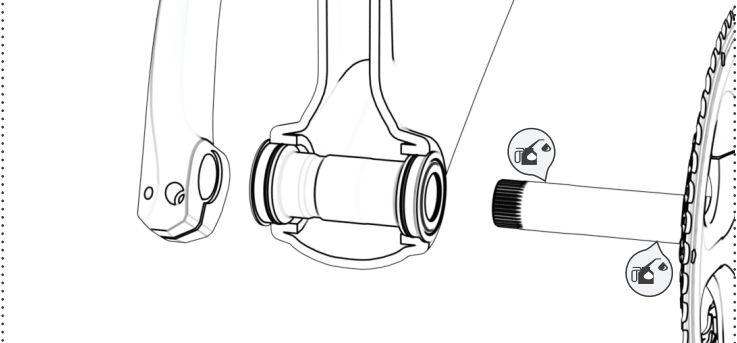
Press the bushes one after the other, until the edges touch the frame, **IMPORTANT:** EXCESSIVE compression may affect the integrity of the frame.

03 - Install spacers or O-rings



If necessary, install adapters or o-rings, downloadable at: <https://www.bikone.com/downloads/>

04 - Crankset installation



Grease and install the connecting rods following the manufacturer's assembly steps.

BEFORE EXTRACTING

Hammer: Use a rubber hammer for removal.

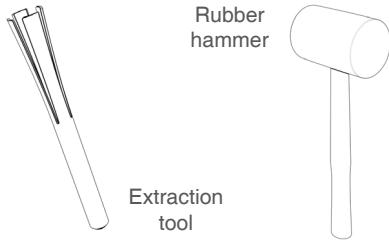
Bottom Bracket Puller: Use a commercially available compatible puller.
(Note: depending on the BB model the puller may change):

Examples: Park Tool BBT-90.3 / BBB Cycling BTL / Super B TB-1927A / BBB CUPOUT BB30

Before using the puller: Make sure that the puller fits perfectly aligned on the puller face and not on the bearing. Improper removal can permanently damage the bottom bracket.

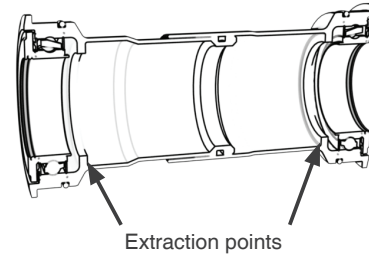
www.bikone.com

00 - Tools



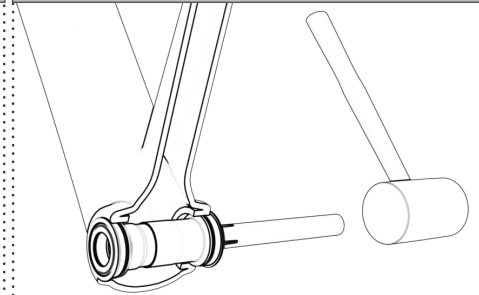
Extraction tools

01 - Locate extraction points



All DCTech bottom brackets have two extraction points for applying force.
NEVER TO THE CENTRE

02 - Remove the CUPS



Remove the bushes
Note: Incorrect tool support can cause irreparable damage to the bottom bracket.

GUARANTEE

All Bikone bottom brackets are warranted against product defects for 2 years from the date of purchase.
This warranty applies to the original owner of purchase and is not transferable to future owners.
The warranty does not cover damage caused by use on wear parts.
The warranty does not cover damage caused by improper installation.
Please refer to our website for more information or visit an authorised dealer.