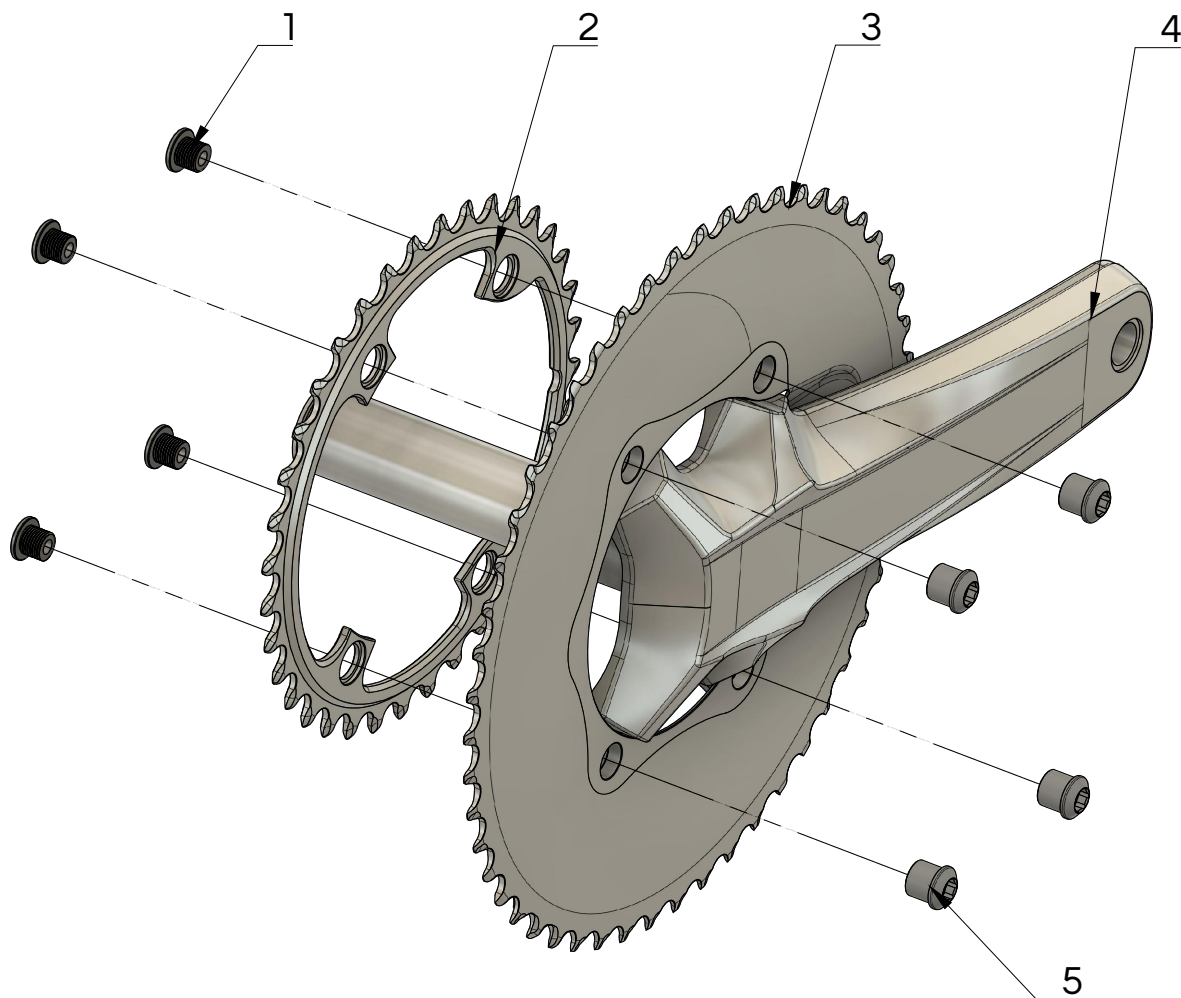


Mounting scheme for ALUGEAR 2X chainrings with nuts and bolts



| Parts list | | |
|------------|-----------------|------|
| N° | Part | Qty. |
| 1 | Bolts M8x6.5mm | 4 |
| 2 | Inner chainring | 1 |
| 3 | Outer chainring | 1 |
| 4 | Crank | 1 |
| 5 | Nuts M8x7mm | 4 |

Installation of the ALUGEAR 2X chainrings with nuts and bolts for Shimano 110 BCD Asymmetric Road 11 or 12 speed cranks:

1. Place an outer chainring from the outside of the crank spider.
2. Place an inner chainring on the inside of the crank spider.
3. Install the nuts into the holes of the chainring from the outside.
4. Screw the bolts into the nuts (the bolts pass through the holes of the inner chainring, crank spider, outer chainring and are screwed into a nuts).