



**PROFILE
DESIGN**

HSC250 TOP TUBE FLASK

REVISION 01-08-20-2024

INTRODUCTION

Thank you for purchasing this Profile Design Hydration System. These instructions apply to the HSC250 top tube flask.

Please read these instructions thoroughly before attempting to install this item. Proper installation is required for compliance with Profile Design's warranty policy. If you are not familiar with installation of bicycle accessories, please seek the assistance of your local Profile design dealer by logging on to www.profile-design.com and using "dealer search" or by calling Profile Design's customer service number p.# 888.800.5999.

Note to Dealers: If you install this product for the consumer, please provide him/her with this owner's manual after installation.

Tools and materials required:

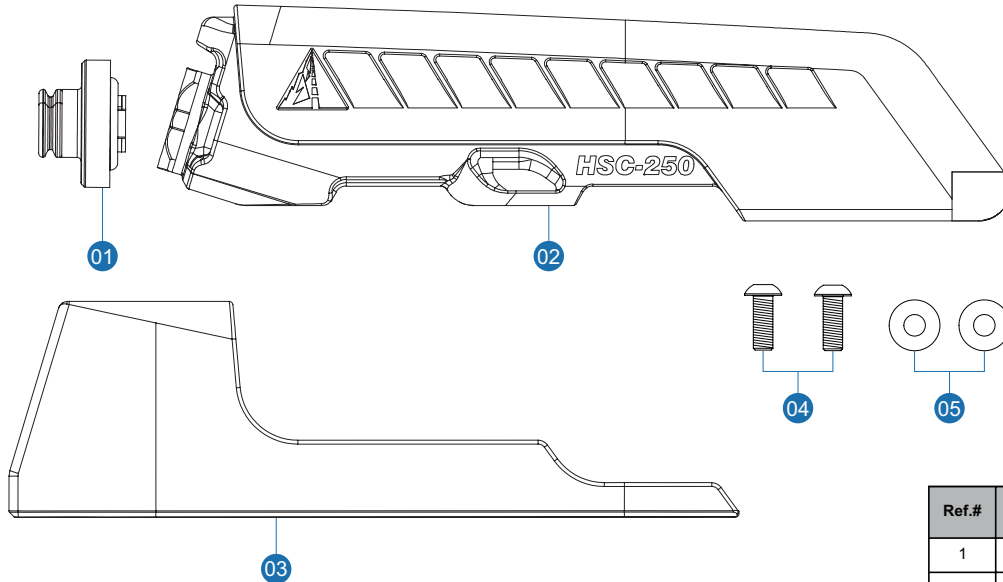
- Grease such as Finishline Premium Grease
- Torque Wrench

Your Flask kit should contain:

- One (1) HSC250 Flask
- One (1) HSC Cage
- Two (2) M5x14mm Bolts
- Two (2) M5 Washers

If anything is missing from the flask kit please contact your dealer.

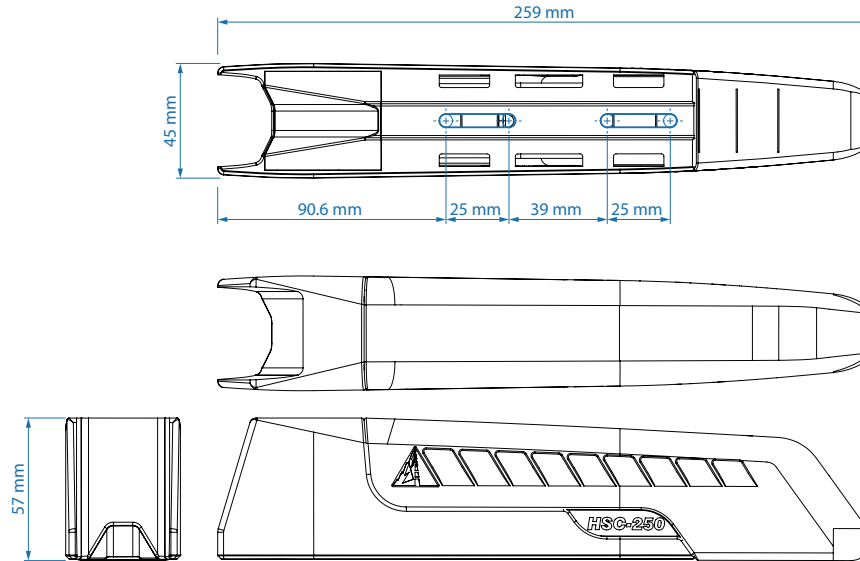
COMPONENT LIST



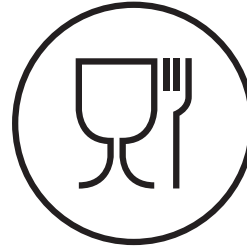
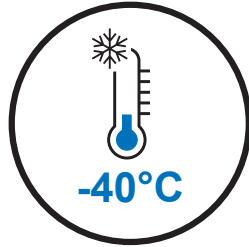
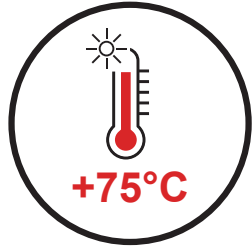
Ref.#	Part.#	QTY. Req.	Part Description
1	B212	1	Cap - HSC250
2	600217	1	Bottle - HSC 250
3	414252	1	Cage - HSC250
4	313598	2	Bolt - M5x14 BHB
5	275673	2	Washer - M5x13x1

PART DRAWINGS

295ml (10oz)



PRODUCT SPECIFIC SETUP LIMITATIONS

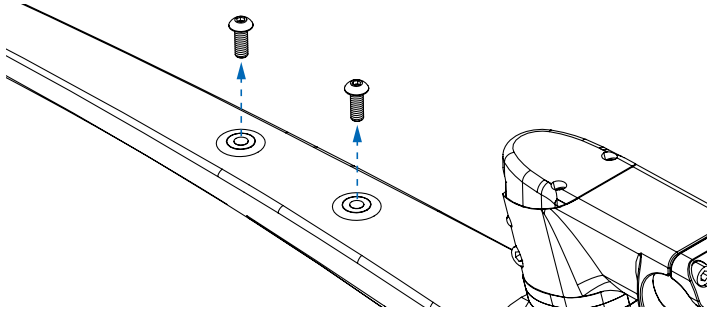


WARNING

While the product is dishwasher safe, we recommend cleaning with warm soapy water and a bottle brush to ensure a thorough clean. If you do use a dishwasher, please choose a setting that is below 75deg C (167F).

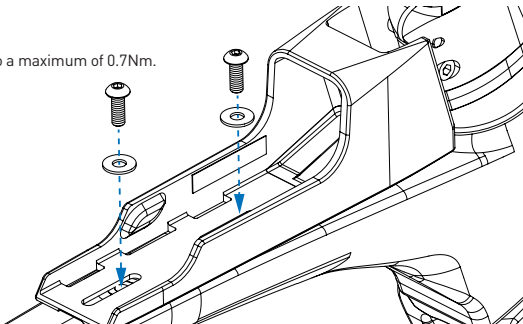
INSTALLATION INSTRUCTIONS

1. Ensure the contact area on the frame is clean prior to installation.
2. You may wish to install a protective sticker (not included) on the frame to protect the paint.
3. Remove the bolts from the top tube of the bike.

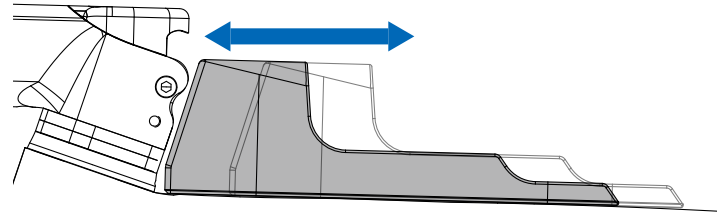


4. Slide the bolt through the washer then through the hole in the base of the cage. Grease the bolt threads that are sticking out of the cage.

* Torque the bolts to a maximum of 0.7Nm.



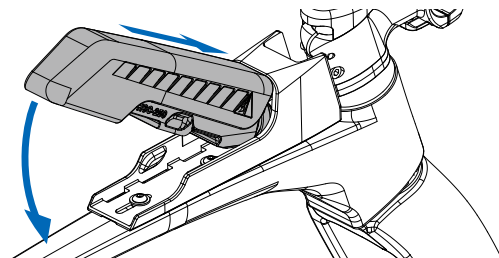
5. Align the bolt with the frame boss and carefully thread the bolt into the frame.
6. Slide the cage to be as close to the stem as possible without having interference between the cage and stem or cables.



7. Once it is located correctly, tighten both bolts to 0.7Nm.

* **Caution!** Before riding, ensure that the bolts are tightened to the torque specified in the Instruction Sheet.

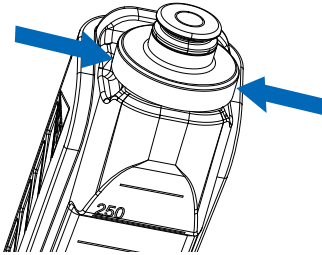
8. To install the flask in the cage, push the nozzle into the corner of the cage then push the flask down.



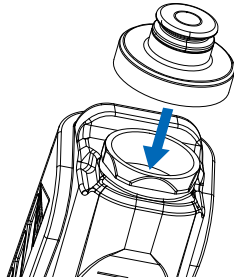
* To remove, lift the back of the flask and pull away from the cage.

Using the bottle

1. The cap pops off, rather than twisting. To remove, lever your finger under one side of the cap and pull it away from the flask.



2. Fill the flask with your chosen nutrition solution.
3. Install the cap by centring it over the flask mouth then pushing down firmly.



4. To remove, lift the back of the flask and pull away from the cage.

Cleaning the Bottle

1. For cleaning the flask a bottle brush and warm soapy water are recommended.

WARRANTY POLICY

- Profile Design Worldwide Two Year Limited Warranty.
- Profile Design, LLC (distributor) warrants to the original retail purchaser ("you") that the Profile Design product for which you received this warranty is free from defects in material and workmanship for (2) two years from the date of original retail purchase. For more details on this warranty, its exclusions and/or how to make a claim under the warranty please call +1 310.747.0085 extension 161 or visit www.profile-design.com/pages/warranty



2677 El Presidio Street
Long Beach, CA 90810
Ph: 310-884-7756

www.profile-design.com

© Profile Design LLC