



**PROFILE  
DESIGN**

---

**A3 REACH EXTENDER**

REVISION 01-08-02-2024

## INTRODUCTION

**Thank you for purchasing this Profile Design product. These instructions apply to the A3 Reach Extender.**

Please read these instructions thoroughly before attempting to install this item. Proper installation is required for compliance with Profile Design's warranty policy. If you are not familiar with installation of Aerobars or their accessories, please seek the assistance of your local Profile design dealer by logging on to [www.profile-design.com](http://www.profile-design.com) and using "dealer search" or by calling Profile Design's customer service number p.# 888.800.5999.

**Note to Dealers: If you install this product for the consumer, please provide him/her with this owner's manual after installation.**

### Tools and materials required:

- 5mm Hex Wrench
- Torque Wrench with a 5mm Hex fitting
- Grease such as Finishline Premium Grease

### Your kit should contain:

- Two (2) A3 Reach Extender
- Two (2) Stainless steel M6x35mm bolts
- Two (2) Washer

## Products compatible with this extender:

- Any bar that uses the A3 Riser system
- Any bar that uses the A2 Riser system, with the addition of the A2-A3 adaptor (available separately)

## This product is not compatible with:

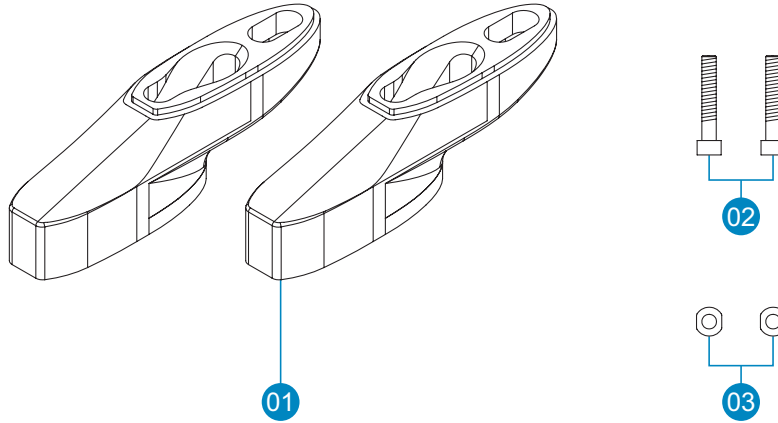
- Our 31.8mm risers
- The Aeria 1 system
- Any bar that does not use our A3 or A2 risers

### **If anything is missing from the Riser kit please contact your dealer.**

Please note that threaded areas have been pre-treated by Profile Design during production with a special blue thread locking compound. This special compound is easy to detect on the threads of all bolts provided. If you cannot detect this thread locking compound or you are re-installing the bolt, re-apply a suitable thread locking compound as available from Loctite® or another company before assembly.

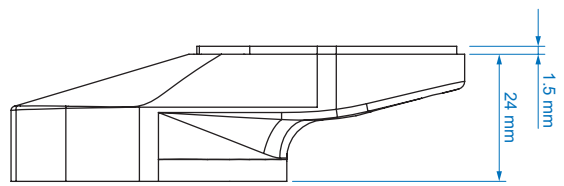
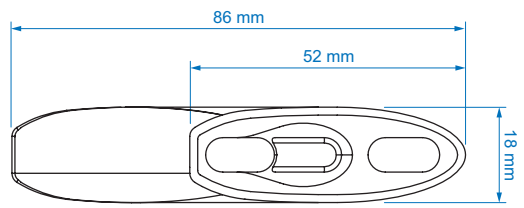
**ARNING: Periodically check the Aero bar for damage, particularly for scratches through the anodised coating (aluminium parts) or clearcoat (carbon parts) that could lead to degradation and weakening of the base material. Replace your Aero bar if you notice any damage from use or accident.**

# COMPONENT LIST

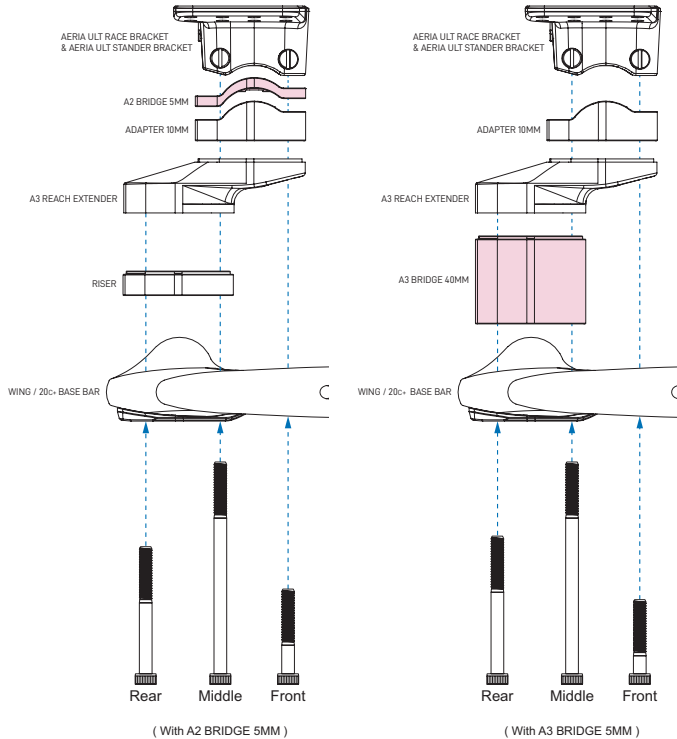


Ref.#	Part.#	QTY. Req.	Part Description
1	274480	2	Adapter - PFD A3 REACH EXTENDER Alloy Black
2	313530	2	M6x35SHB BK w/nylock
3	275674	2	Washer 6x12x1.5 UCP

# PART DRAWINGS



# BRACKET BOLT LENGTH & TORQUE SETTINGS

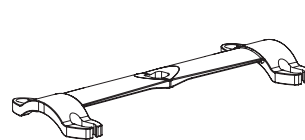


Basebar : WING / 20c.  
 Bolt : M6 Head  
 Unit : MM  
 Front / Middle / Rear each needs 2pcs

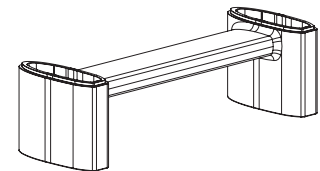
A3 Riser(mm)		0	5	5	10	10+5	20	20+5	20+10	20+10+5	X	Torque	
With A2 Bridge(mm)		X	X	5	5	5	5	5	5	5	X	6Nm (53 inlbf)	
With A3 Bridge(mm)		X	X	X	X	X	X	X	X	X	X		40
Bolt Length	Front	35		40						35			
	Middle	60	65	70	75	80	85	90	95	100	100		
	Rear	25	30	35	40	45	50	55	60	65			

**CAUTION**

Before riding, ensure that the bolts are tightened to the torque specified in the Instruction Sheet.

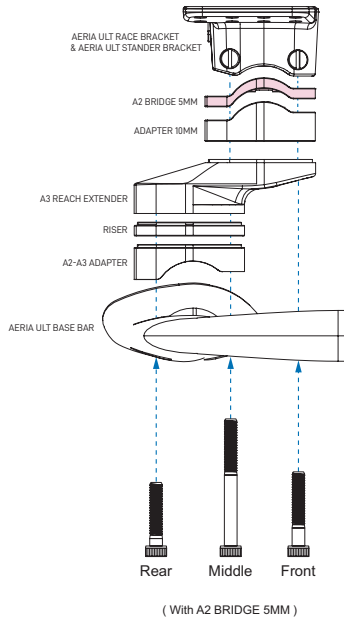


A2 BRIDGE 5MM



A3 BRIDGE 40MM

# BRACKET BOLT LENGTH & TORQUE SETTINGS



Basebar : AERIA ULT

Bolt : M6 Head

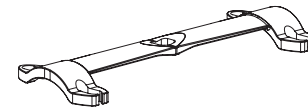
Unit : MM

Front / Middle / Rear each needs 2pcs

A3 Riser(mm)		0	0	5	10	10+5	20	20+5	20+10	Torque
With A2 Bridge(mm)		X	5	5	5	5	5	5	5	6Nm (53 inlbf)
Bolt Length	Front	35	40							
	Middle	65	70	75	80	85	90	95	100	
	Rear	30	30	35	40	45	50	55	60	

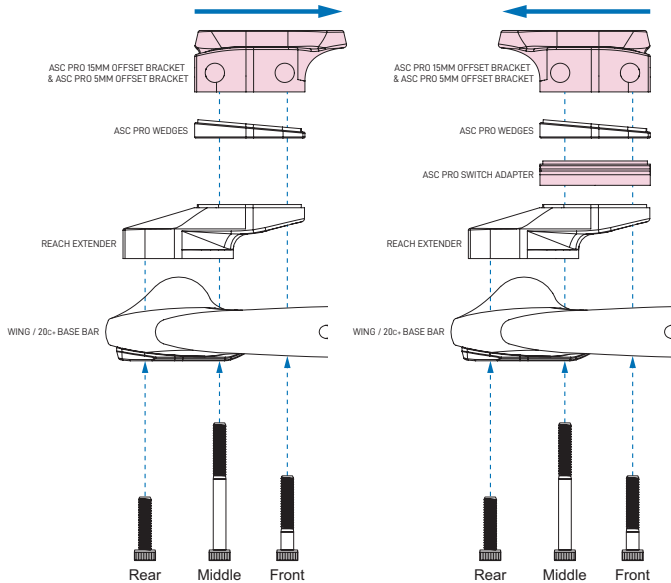


**Before riding, ensure that the bolts are tightened to the torque specified in the Instruction Sheet.**



A2 BRIDGE 5MM

# BRACKET BOLT LENGTH & TORQUE SETTINGS



( With ASC PRO SWITCH ADAPTER )

Basebar : WING / 20c.

Tilt Degree	-5	-4	-3	-2	-1	0	1	2	3	4	5	6	7	8	9	10
Wedges	25	20	20	20	20	20	20	20	20	20	25	5+1	5+2	5+3	5+4	5+2+3
Wedges (with Switch Adapter)	60	55	55	55	55	55	55	55	55	55	55	(-5)+(-1)	(-5)+(-2)	(-5)+(-3)	(-5)+(-4)	(-5)+(-2)+(-3)

Bolt : M6 Head

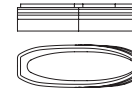
Unit : MM

Front / Middle / Rear each needs 2pcs

Tilt Degree		-5	-4	-3	-2	-1	0	1	2	3	4	5	6	7	8	9	10	Torque	
Bolt Length	Front	25			20			25			35			40			6Nm (53 inlbf)		
	Middle	60			55			55			60			65					
	Rear	25																	
	With Switch Adapter																		
	Front	35			40			35			40			50					
	Middle	70			65			65			70			75					
Rear	25																		



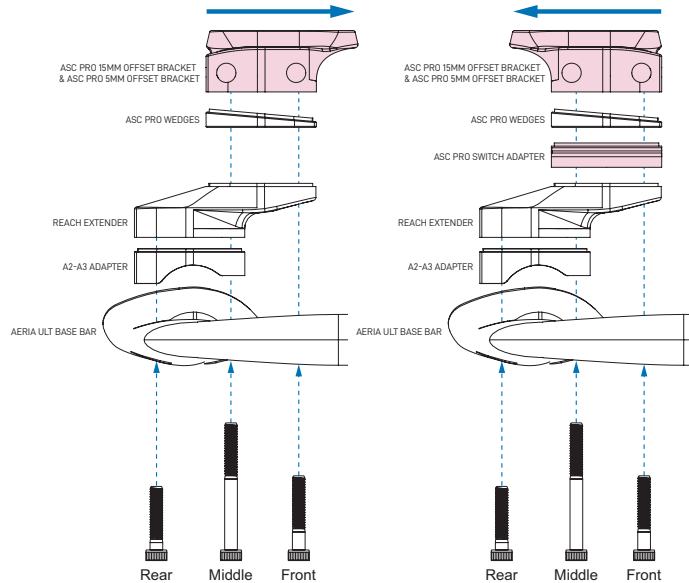
Before riding, ensure that the bolts are tightened to the torque specified in the Instruction Sheet.



ASC PRO SWITCH ADAPTER



# BRACKET BOLT LENGTH & TORQUE SETTINGS



( With ASC PRO SWITCH ADAPTER )

Basebar : AERIA ULT

Tilt Degree	-5	-4	-3	-2	-1	0	1	2	3	4	5	6	7	8	9	10
Wedges	25	20	20	20	20	20	20	20	20	20	25	5+1	5+2	5+3	5+4	5+2+3
Wedges (with Switch Adapter)	60	55	55	55	55	55	55	55	55	55	55	(-5)+(-1)	(-5)+(-2)	(-5)+(-3)	(-5)+(-4)	(-5)+(-2)+(-3)

Bolt : M6 Head

Unit : MM

Front / Middle / Rear each needs 2pcs

Tilt Degree		-5	-4	-3	-2	-1	0	1	2	3	4	5	6	7	8	9	10	Torque				
Bolt Length	Front	25		20		25		35		40		6Nm (53 inlbf)										
	Middle	60		55		60		65		65												
	Rear	30																				
	With Switch Adapter																					
	Front	35		30		35		45		50												
	Middle	70		65		70		75		75												
Rear	30																					



Before riding, ensure that the bolts are tightened to the torque specified in the Instruction Sheet.



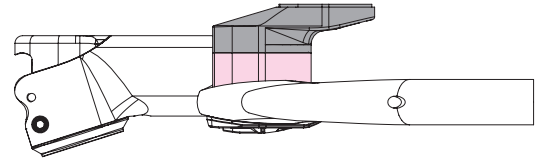
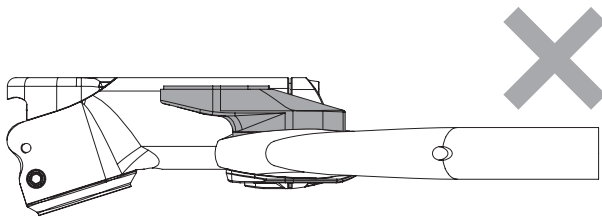
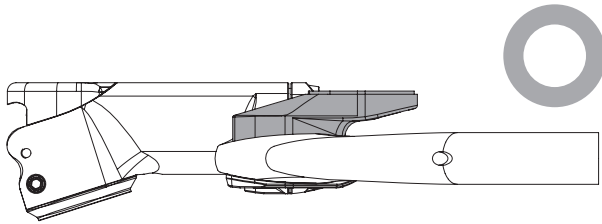
ASC PRO SWITCH ADAPTER

# INSTALLATION INSTRUCTIONS

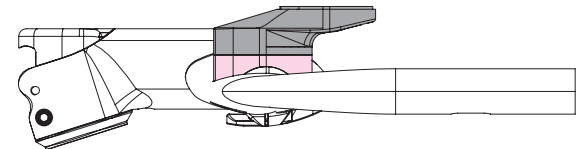
1. Consult the bolt length table to ensure you use the correct length bolts for your setup. Apply grease to the contact surfaces of the risers.

- Note that the extender cannot be mounted in the rearwards position.

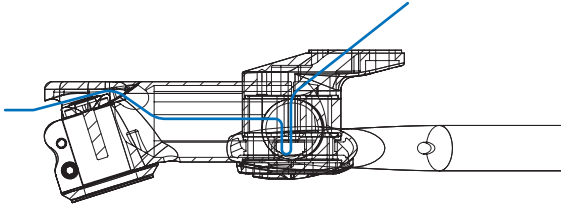
2. Assemble the risers with the Reach Extender at the top.



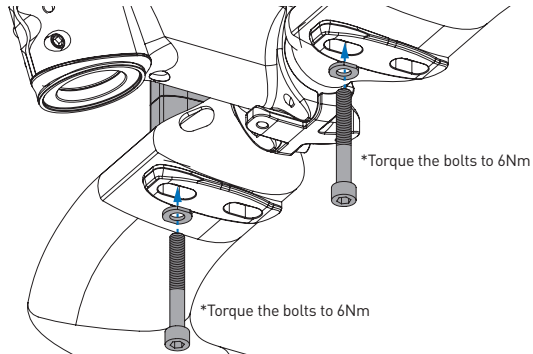
- If fitting to an Aeria Ultimate bar or other A2 platform bar, install the A2-A3 adaptor under the risers.



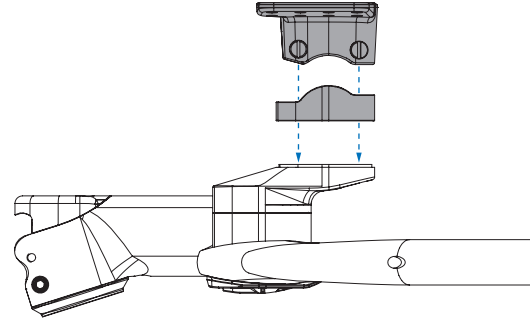
3. If using electronic gears, route the cable through the basebar and risers prior to installing the Reach Extender.



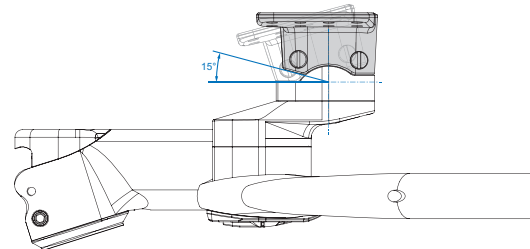
4. First install the rear bolt using a 5mm hex wrench.



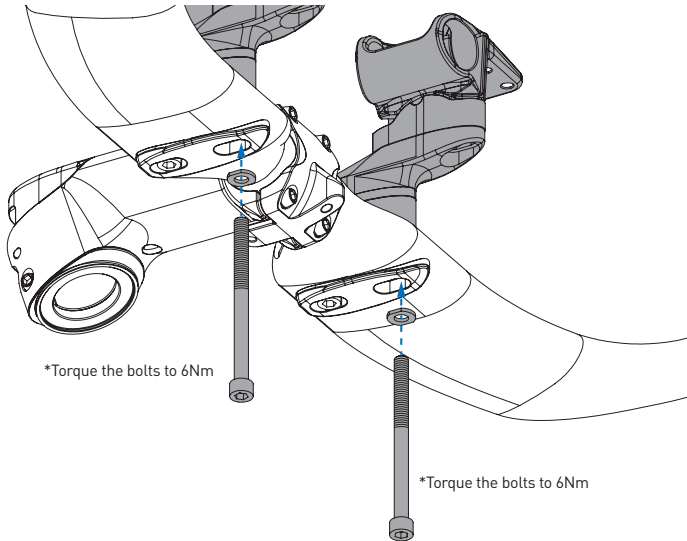
5. Then fit the aero bar bracket on top or riser of the Reach Extender.



6. Adjust the angle of the bracket to the position you want.

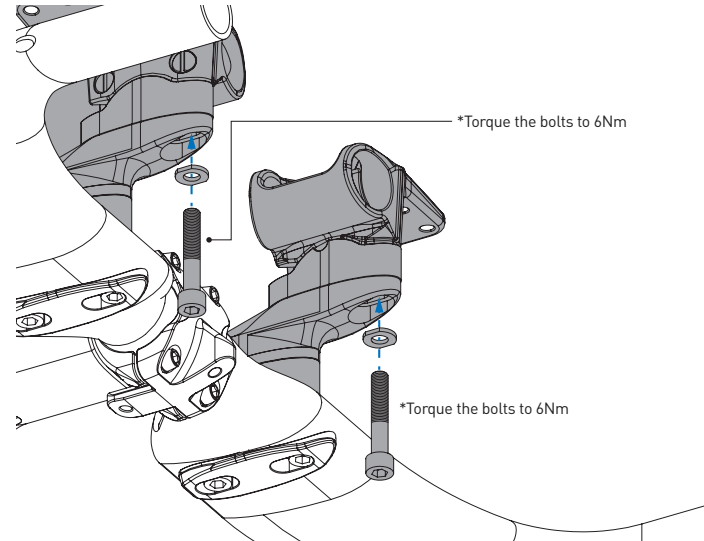


7. Install the middle bolt using the 5mm hex wrench.



- Use the locator groove on the side of the threaded barrel (in the aerobar bracket) to aid in aligning the barrel for bolt installation.
- If using electronic gears, ensure the cable is sitting in the internal channel to the side of the riser bolt before installing the bracket.

8. Install the front bolt using the 5mm hex wrench.



9. Check the placement of the brackets then use the torque wrench with a 5mm fitting to tighten the aerobar bracket clamp to 6Nm.

**WARNING:**  
 Using bolts that are too long for the risers and bracket will prevent correct installation. Bolts that are too short may lead to failure during use.

## **WARRANTY POLICY**

- Profile Design Worldwide Two Year Limited Warranty.
- Profile Design, LLC (distributor) warrants to the original retail purchaser ("you") that the Profile Design product for which you received this warranty is free from defects in material and workmanship for (2) two years from the date of original retail purchase. For more details on this warranty, its exclusions and/or how to make a claim under the warranty please call +1 310.747.0085 extension 161 or visit [www.profile-design.com/pages/warranty](http://www.profile-design.com/pages/warranty)



2677 El Presidio Street  
Long Beach, CA 90810  
Ph: 310-884-7756

[www.profile-design.com](http://www.profile-design.com)

© Profile Design LLC